



RETRO REFLECTIVE TAXIWAY MARKER (RRTM)

For marking taxiway and apron edges

Product features:

- Manufactured in Australia to CASA MOS 139 compliance standards
- Constructed of light durable materials including aluminium tube
- Retro reflective film is 3m high intensity diamond grade as/nzs 1906.1 class 1
- Supplied with frangible mounts
- Unique ball and socket levelling mechanism allows for vertical installation of the reflector on sloped surfaces or when the driven mounting is not installed vertically

Mounting options:

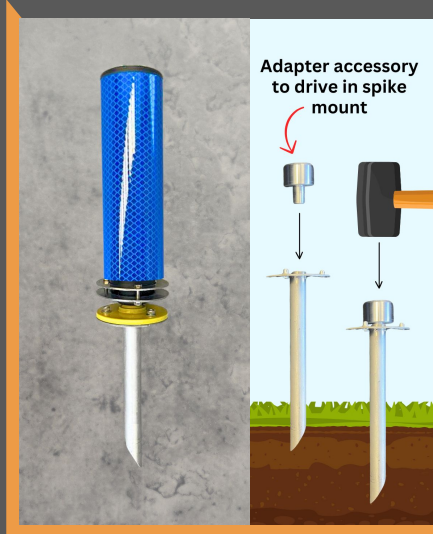
- Pavement or block mounting
- Driven spike mounting (stainless steel ground stake for use in hard ground conditions. A driver adapter is available for installation)



PAVEMENT OR BLOCK MOUNTED



SPIKE MOUNTED

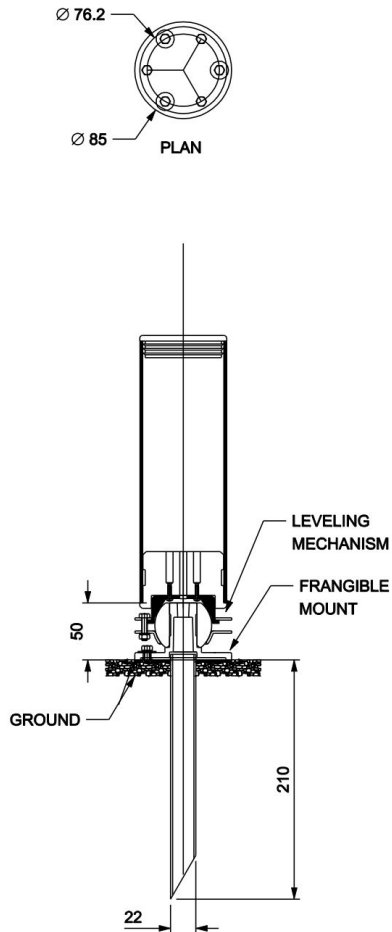


UNIQUE LEVELLING MECHANISM

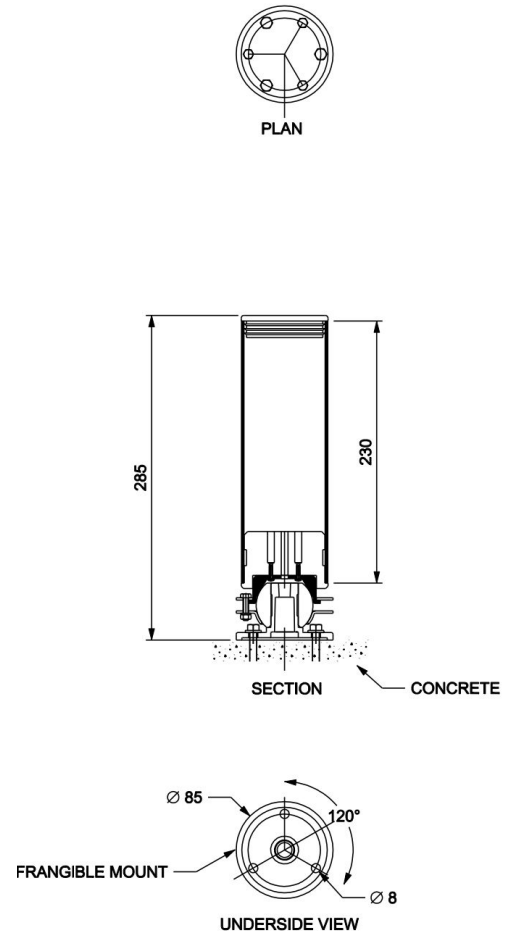




SPIKE MOUNTED



PAVEMENT OR BLOCK MOUNTED



TECHNICAL SPECIFICATIONS

Compliance:

- ICAO Annex 14 Volume 1
- CASA MOS 139

Reflective characteristics:

- Retroreflective sheet High Intensity AS/NZS 1906.1 Class 1
- Colour: Blue (other colours available on request)
- Omni Directional

Physical characteristics:

- Body material: Aluminium
- Diameter: 76mm
- Corrosion resistant coating
- Frangible CASA MOS 139 /ICAO
- Jet blast resistant 480km/hr
- Height on standard mounting: 285mm
- Height of Reflective Film: 230mm
- Weight on standard Mounting: 750g

Installation and maintenance:

- Can be mounted on pavement shoulders or concrete mounting block, or driven stake
- Stainless steel driver adaptor accessory allows for ease of driving ground mount spikes without damage to mounting plate
- Can be levelled after installation due to incorporated levelling mechanism
- Retroreflective film is long life, UV resistant, self adhesive & corrosion resistant